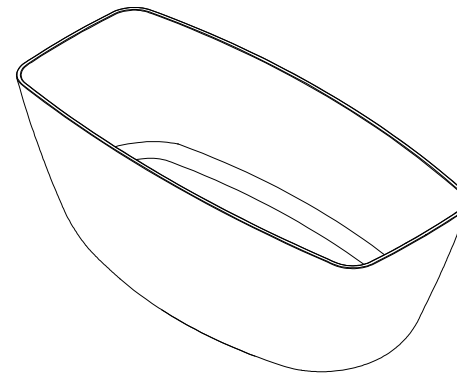
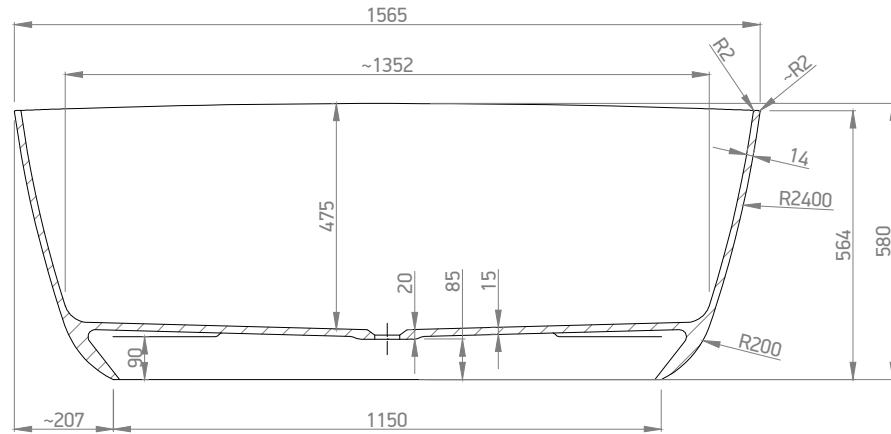
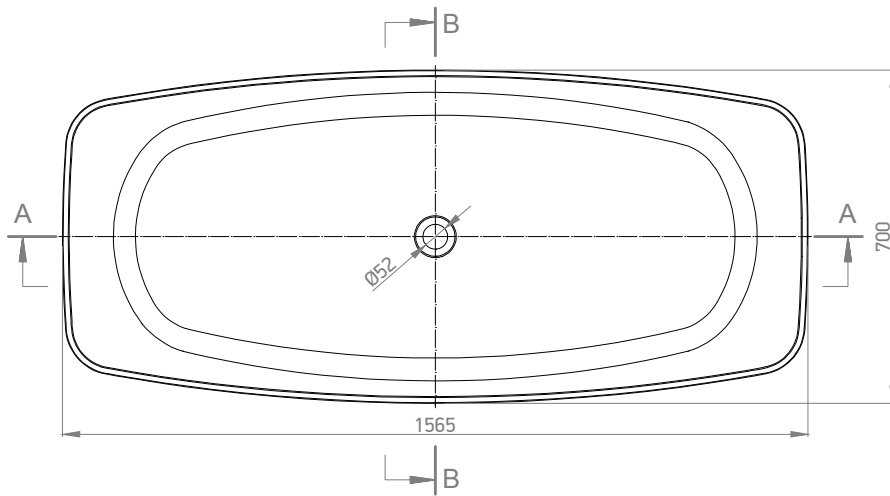


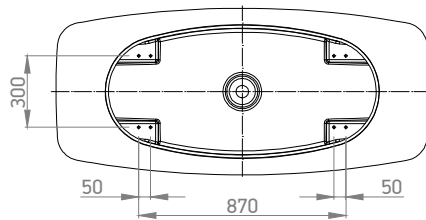
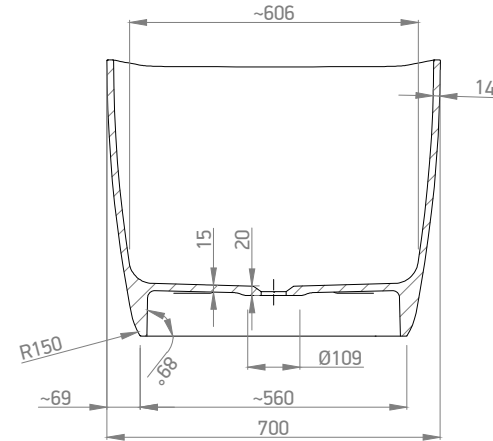
A-A



B



B-B



Bottom view 1:32



**MARMY**

[www.marmy.eu](http://www.marmy.eu)

Name:

**HILTON 160x70**

Item NR.:

**6 301 13 16 11 18**

Weight:

**98 kg**

Scale:

**1:16**